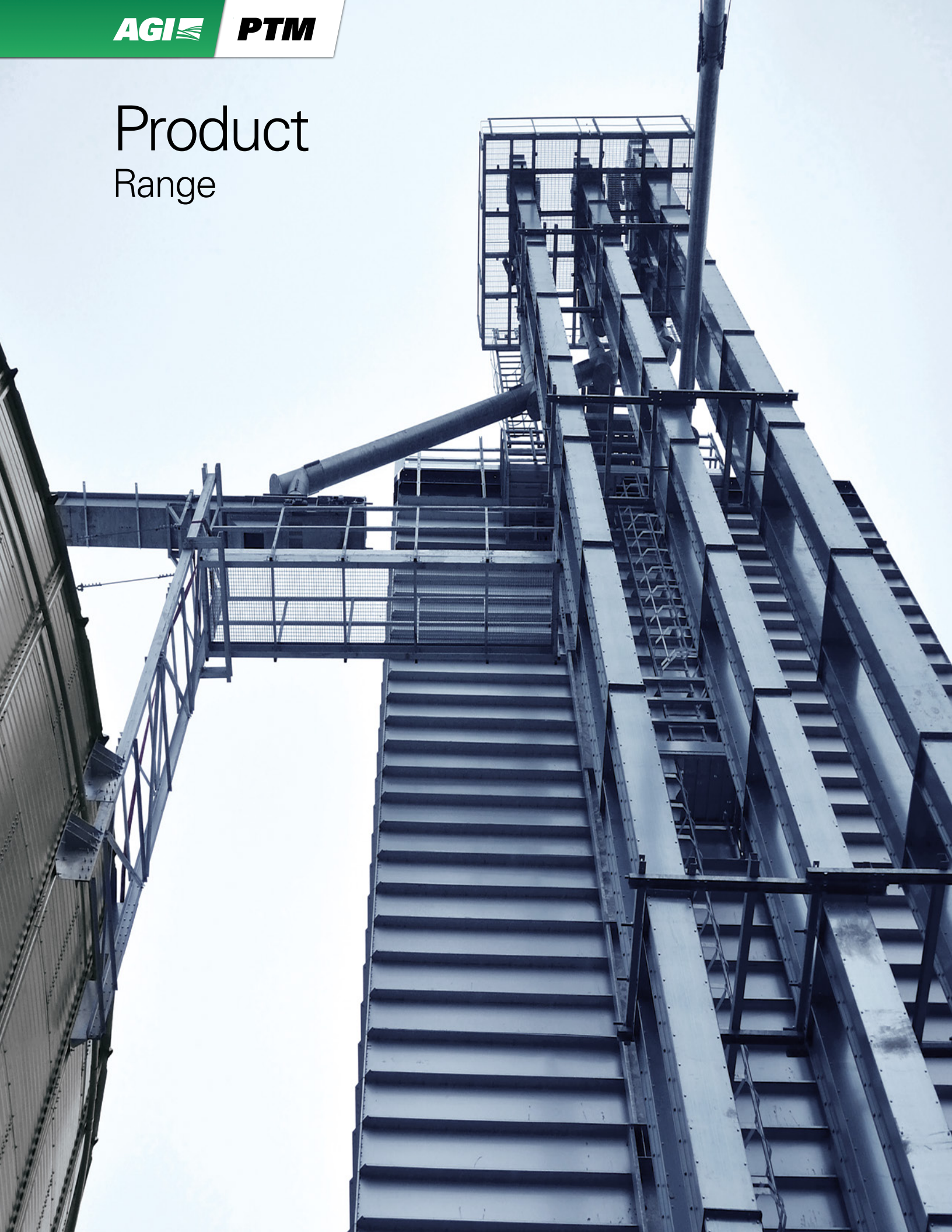


Product Range





Our Products

Chain Conveyors

Six different series of machineries and up to thirty-three conveyors are available, divided into two main classes:

TCA Conveyors: made in pre-galvanized plate, they are suitable for working loads typical of storage centres related to the harvesting of agricultural crops.

TCM Conveyors: available both in hot-dip galvanized and epoxy painted version, they are suitable for intensive working loads.

Bucket Elevators

Forty-nine models guarantee the right solution to each specific use depending on the type of product to convey, on the bucket material and on the expected working cycles. Two main classes of machineries:

ELA Elevators: suitable for standard working loads, made in pre-galvanized plate, they are suitable for working loads typical of storage plants related to the harvesting of agricultural crops.

ETM Elevators: available both in hot dip galvanized and epoxy painted version, they are suitable for intensive working loads.

Belt Conveyors

Thirty models divided in four different series to offer each user the most suitable solution as far as capacity, technical characteristics and type of use. The surface treatments may be hot-dip galvanization or epoxy painted.

Spout & Connections

A complete range of accessories such as detection slides, diverter valves, connection components with round and square section.

Filters for Intake Pits

FTM high pressure filters have been studied to guarantee the lowering of dust during the unloading of the vehicles in the receiving hopper.

Ventilation Components

The range of ventilation components includes solutions for vertical silos (in steel or concrete), horizontal level stores, distribution systems of air in foundation, distribution systems of air over floor.

Sampling Systems

The range of sampling systems includes two solutions which satisfy the necessity of getting representative samples of products at two crucial moments: at the reception of the product and after some processing stages.

Chain Conveyors

Type TCM

General characteristics

- Designed for conveying cereals, in large farms and grain storing plants
- Base structure in pre-galvanized steel DX51D Z 275 UNI EN 10327;
- Standard execution (CE) or in compliance with ATEX Directive 94/9/CE (Z=22)

Drive head

- Drive unit directly coupled to the shaft (1)
- Anti-clogging system and inspection window

Discharging slide

- Lengthwise opening with limit sensors
- Electric (9), pneumatic (10) or manual control
- Chain Brushing system at the intermediate outlets

Accessories

- Standard inlet hopper
- Discharging hopper with square outlet
- Adjustable supporting legs

Tail

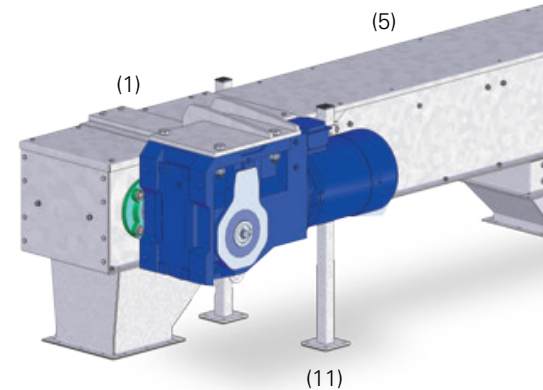
- Tensioning system by screws (2)
- Tensioning slides with self-aligning bearings
- Speed monitoring system (3)
- Special execution for reversible machine

Conveying chain

- Belt-link scraper chain (4)
- PE-UHMW scrapers
- Recovery buckets

Casings

- Standard casings (5)
- Side-inlet casings (for intake hopper) (6)
- Double deck casings
Casings with flow regulation system (manual control) (8)
- Elbow casing (for inclination changing)
- PE-UHMW chain sliding blocks with metallic central guide



		TCA.60	TCA.120	TCA.150	TCA.200
Capacity ⁽¹⁾	t/h	60	120	150	200
Capacity ⁽¹⁾	bph	2183	4366	5457	7276
Max Power	kW	15	15	18,2	22
Dimensions: W / W1 / H	mm	200 / 295 / 347	300 / 395 / 347	350 / 448 / 445	400 / 498 / 445
Dimensions: A / B	mm	750 / 750		1000 / 750	
Head Thickness ⁽²⁾	mm	3,0 - 3,0 ⁽³⁾ - 1,5	3,0 - 3,0 ⁽³⁾ - 1,5	4,0 - 4,0 ⁽³⁾ - 2,0	4,0 - 4,0 ⁽³⁾ - 2,0
Tail Thickness ⁽²⁾	mm	3,0 - 3,0 ⁽³⁾ - 1,5	3,0 - 3,0 ⁽³⁾ - 1,5	4,0 - 4,0 ⁽³⁾ - 2,0	4,0 - 4,0 ⁽³⁾ - 2,0
Casings Thickness ⁽²⁾	mm	2,5 - 3,0 ⁽³⁾ - 1,5	2,5 - 3,0 ⁽³⁾ - 1,5	3,0 - 4,0 ⁽³⁾ - 2,0	3,0 - 4,0 ⁽³⁾ - 2,0
Version ⁽⁴⁾	–	ISO	ISO	ISO	ISO
Design Working Load ⁽²⁾	h/y	2200	2200	2200	2200

⁽¹⁾ Capacities are referred to dry cereal (r.h. 14%), with bulk density 0.78 t/m³ and impurities lower than 4%

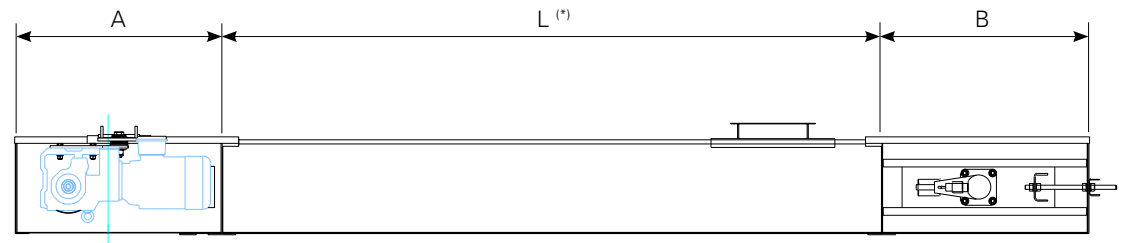
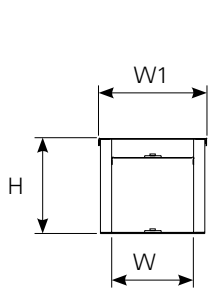
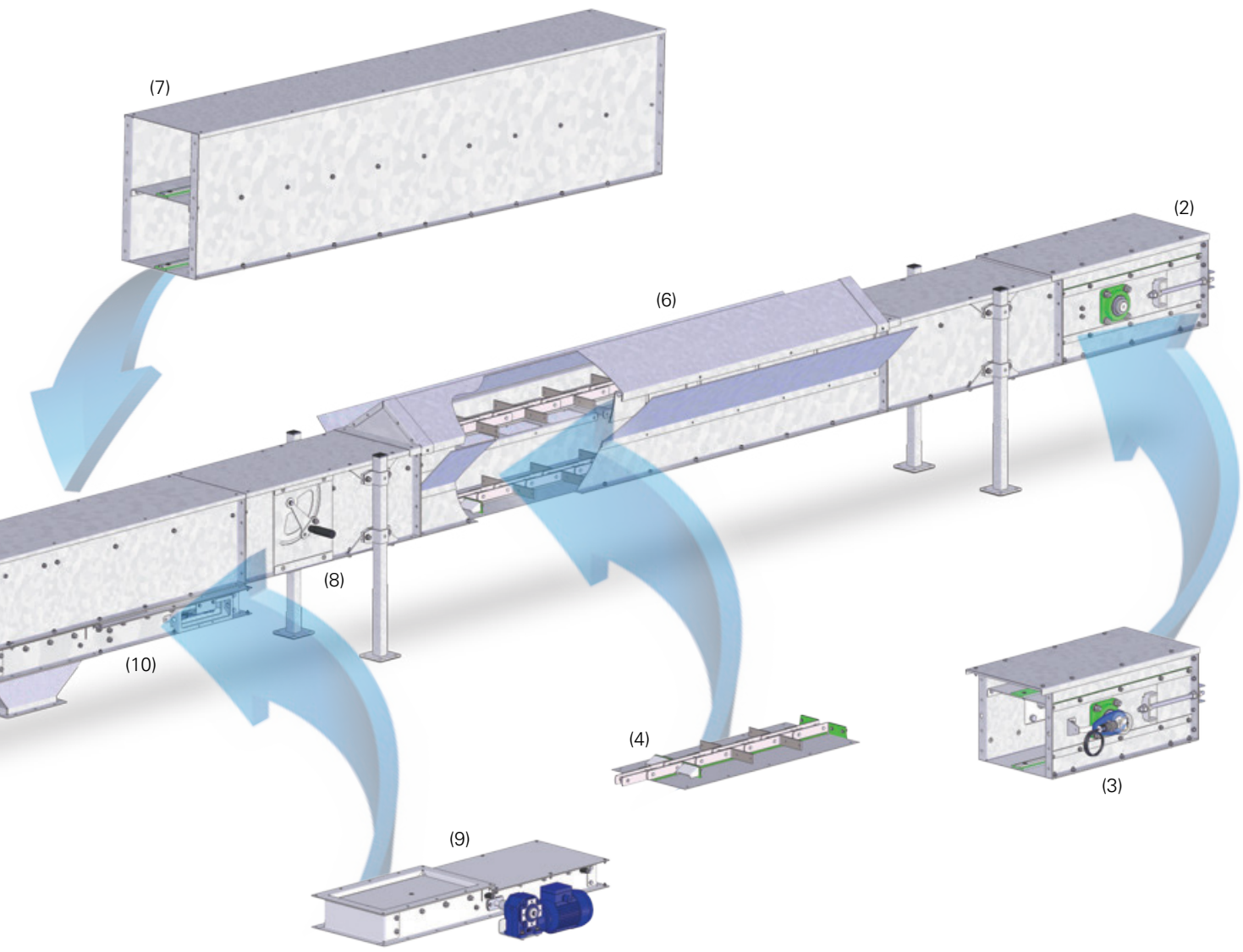
⁽²⁾ Thickness: Flanks - bottom - Cover

⁽³⁾ As an option the conveyor can be supplied with PE-UHMW bottom lining

⁽⁴⁾ ISO Version = Bent-Links Scraper Chain

⁽⁵⁾ Design working load has been considered for dry cereal (r.h. 14%), with bulk density 0.78 tonnes/m³ and impurities lower than 4%

⁽⁶⁾ L = 2400 / 1900 / 1400 / 900 / 400 mm (Special dimensions available upon request) Standard elbow casing (from horizontal to inclined and from inclined to horizontal): 5° - 10° - 15°



Chain Conveyors

Type TCM

General characteristics

Designed for the transport of granular or dusty products (typically cereals, oilseeds, flour, meals and their by-products).

- Wide range of machines. Customization according to the customer's requirements
- Surface treatment by hot-dip galvanization or epoxy paint (suitable for human food)
- Standard execution (CE) or in compliance with ATEX Directive 94/9/CE (Z=22)

Drive head

- Drive unit directly coupled to the shaft (1)
- Drive head with motor, reducer and joints, complete with support (2)
- Anti-clogging system and inspection window
- Self-cleaning drive head ("drum" type)

Discharging slide

- Lengthwise opening (11)
- Transversal opening (12)
- Electric, pneumatic or manual control
- Limit sensors
- Chain brushing system at the intermediate outlets

Accessories

- Standard inlet hopper
- Inlet hopper with flow regulation system
- Side inlet hopper

- Discharging hopper
- Stainless steel outlet hopper with magnetic separator
- Adjustable supporting legs
- Inspection windows

Tail

- Standard tensioning system by screws (internal or external) (3)
- Tensioning system with spring buckets (4)
- Tensioning slides with self-aligning bearings
- Speed monitoring system
- Special execution for reversible machine
- Dust tight tail (for application with dusty products)

Conveying chain

- Belt-link scraper chains (5)
- Drop-forged chains (6)
- PE-UHMW scrapers (standard or for human food)
- Recovery buckets

Casings

- Standard casing (7)
- Side-inlet casings (for intake hopper) (8)
- Double deck casings (9)
- Casing with flow regulation system (10)
- Elbow casing (for inclination changing)
- PE-UHMW chain rails with metallic central guide
- PE-UHMW bottom coating
- Reinforced steel bottom

		TCM.320.160	TCM.320.200	TCM.400.200	TCM.400.250	TCM.400.300	TCM.400.350	TCM.400.400					
Capacity ⁽¹⁾	t/h	40	60	80	100	120	150	200					
Capacity ⁽¹⁾	bph	1455	2183	2911	3638	4366	5457	7276					
Max Power	kW	9,2		1250 / 750									
Dimensions: W/W1/H	mm	160 / 230 / 300	200 / 270 / 330	200 / 316 / 420	250 / 370 / 420	300 / 416 / 420	350 / 465 / 420	400 / 515 / 420					
Dimensions: A / B	mm	1000 / 700		1250 / 750									
Head Thickness ⁽²⁾	mm	3,0 - 3,0 ⁽³⁾ - 1,5		5,0 - 4,0 ⁽³⁾ - 2,0									
Tail Thickness ⁽²⁾	mm	3,0 - 3,0 ⁽³⁾ - 1,5		3,0 - 4,0 ⁽³⁾ - 2,0									
Casings Thickness ⁽²⁾	mm	2,5 - 3,0 ⁽³⁾ - 1,5		3,0 - 4,0 ⁽³⁾ - 2,0									
Version ⁽⁴⁾	-	ISO	ISO	ISO	R	ISO	R	ISO	R	ISO	R	ISO	R
Design Working Load ⁽²⁾	h/y	5000		5000									

⁽¹⁾ Capacities are referred to dry cereal (r.h. 14%), with bulk density 0.78 t/m³ and impurities lower than 4%

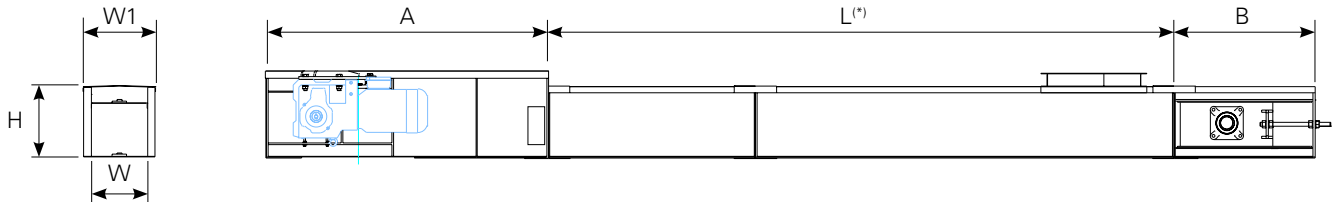
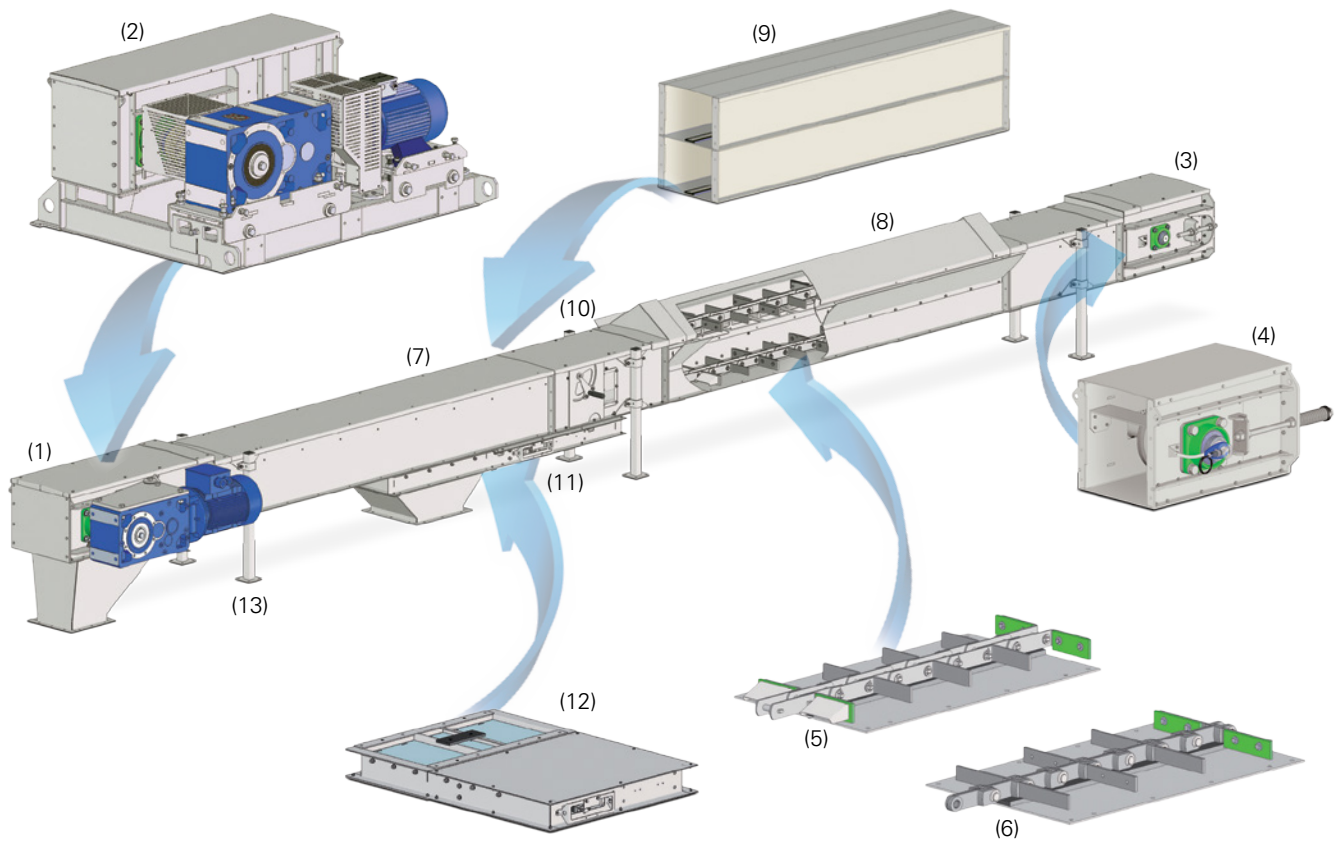
⁽²⁾ Thickness: Flanks - bottom - Cover

⁽³⁾ As an option the conveyor can be supplied with PE-UHMW bottom lining

⁽⁴⁾ ISO Version = Bent-Links Scraper Chain

⁽⁵⁾ Design working load has been considered for dry cereal (r.h. 14%), with bulk density 0.78 tonnes/m³ and impurities lower than 4%

⁽¹⁾ L = 2400 / 1900 / 1400 / 900 / 400 mm (Special dimensions available upon request) Standard elbow casing (from horizontal to inclined and from inclined to horizontal): 5° - 10° - 15°



TCM.440.350		TCM.440.400		TCM.550.400		TCM.550.450		TCM.550.500		TCM.630.450		TCM.630.500		TCM.630.600		TCM.630.600H	
200		250		250		300		350		400		500		600		800	
7276		9095		9095		10914		12734		14553		18191		21829		29105	
45				75				132									
350 / 471 / 515		400 / 521 / 515		400 / 525 / 610		450 / 575 / 610		500 / 625 / 610		450 / 575 / 660		500 / 625 / 660		600 / 725 / 660		600 / 740 / 830	
2000 / 1000				2000 / 1000				2000 / 1000				2750 / 1250					
6,0 - 6,0 ⁽³⁾ - 2,0				6,0 - 6,0 ⁽³⁾ - 3,0				6,0 - 6,0 ⁽³⁾ - 3,0				6,0 - 8,0 ⁽³⁾ - 3,0					
5,0 - 6,0 ⁽³⁾ - 2,0				5,0 - 6,0 ⁽³⁾ - 3,0				5,0 - 6,0 ⁽³⁾ - 3,0				5,0 - 8,0 ⁽³⁾ - 3,0					
4,0 - 6,0 ⁽³⁾ - 2,0				4,0 - 6,0 ⁽³⁾ - 3,0				5,0 - 6,0 ⁽³⁾ - 3,0				5,0 - 8,0 ⁽³⁾ - 3,0					
ISO	R	ISO	R	ISO	R	ISO	R	ISO	R	ISO	R	ISO	R	ISO	R	ISO	
5000				5000				5000									

⁽¹⁾ Capacities are referred to dry cereal (r.h. 14%), with bulk density 0.78 t/m³ and impurities lower than 4%

⁽²⁾ Thickness: Flanks - bottom - Cover

⁽³⁾ As an option the conveyor can be supplied with PE-UHMW bottom lining

⁽⁴⁾ ISO Version = Bent-Links Scraper Chain

⁽⁵⁾ Design working load has been considered for dry cereal (r.h. 14%), with bulk density 0.78 tonnes/m³ and impurities lower than 4%

^(*) L = 2400 / 1900 / 1400 / 900 / 400 mm (Special dimensions available upon request) Standard elbow casing (from horizontal to inclined and from inclined to horizontal): 5° - 10° - 15°

Bucket Elevator

Type ELA

General characteristics

- Designed for conveying cereals, in large farms and grain storing plants
- Base structure in pre-galvanized steel DX51D Z 275 UNI EN 10327;
- Standard execution (CE) or in compliance with ATEX Directive 94/9/CE (Z=22)

Drive head

- Drive unit directly coupled to the shaft (1)
- Anti-clogging system at the discharging hopper (2)
- Belt alignment control system (3)
- Smooth pulley
- Upper cover dismantable
- Set of anti-wearing sheets interchangeable, in special steel

Tail

- Smooth cage pulley
- Standard tensioning system by screws (4)
- Speed monitoring system
- Belt alignment control system (3)

Buckets & Belts

- Buckets for granular products in pressed steel
- Different type of belt: anti-abrasive, oil resistant, flame retardant

Legs

- Standard leg (5)
- Inspection leg (6)

Accessories

- Extra inlet hopper (7)
- Hopper for product recovering (8)
- Discharging hopper with square or round outlet
- Explosion venting panel on casing (9)
- Aspiration connection on casing (10)

		ELA.470	ELA.550
Capacity ⁽¹⁾	t/h	40 ÷ 120	150 ÷ 200
Capacity ⁽¹⁾	bph	1455 ÷ 4366	5457 ÷ 7276
Max Power	kW	18,5	37
Self-standing machine up to	m	32	40
Dimensions: A / A1 / A2	mm	1467 / 1021 / 453	1756 / 1295 / 643
Dimensions: B / B1 / B2	mm	1341 / 1200 / 509	1595 / 1404 / 645
Dimensions: C / E / F	mm	1400 / 267 / 261	1400 / 373 / 291
Head Thickness ⁽²⁾	mm	3,0 - 3,0	4,0 - 4,0
Tail Thickness ⁽³⁾	mm	3,0 - 8,0	4,0 - 10,0
Legs Thickness ⁽⁴⁾	mm	2,0	3,0
Anti-Wearing Steel Thickness	mm	4,0	4,0
Design Working Load ⁽⁵⁾	h/y	2200	2200

⁽¹⁾ Capacities are referred to dry cereal (r.h. 14%), with bulk density 0.78 t/m³ and impurities lower than 4%

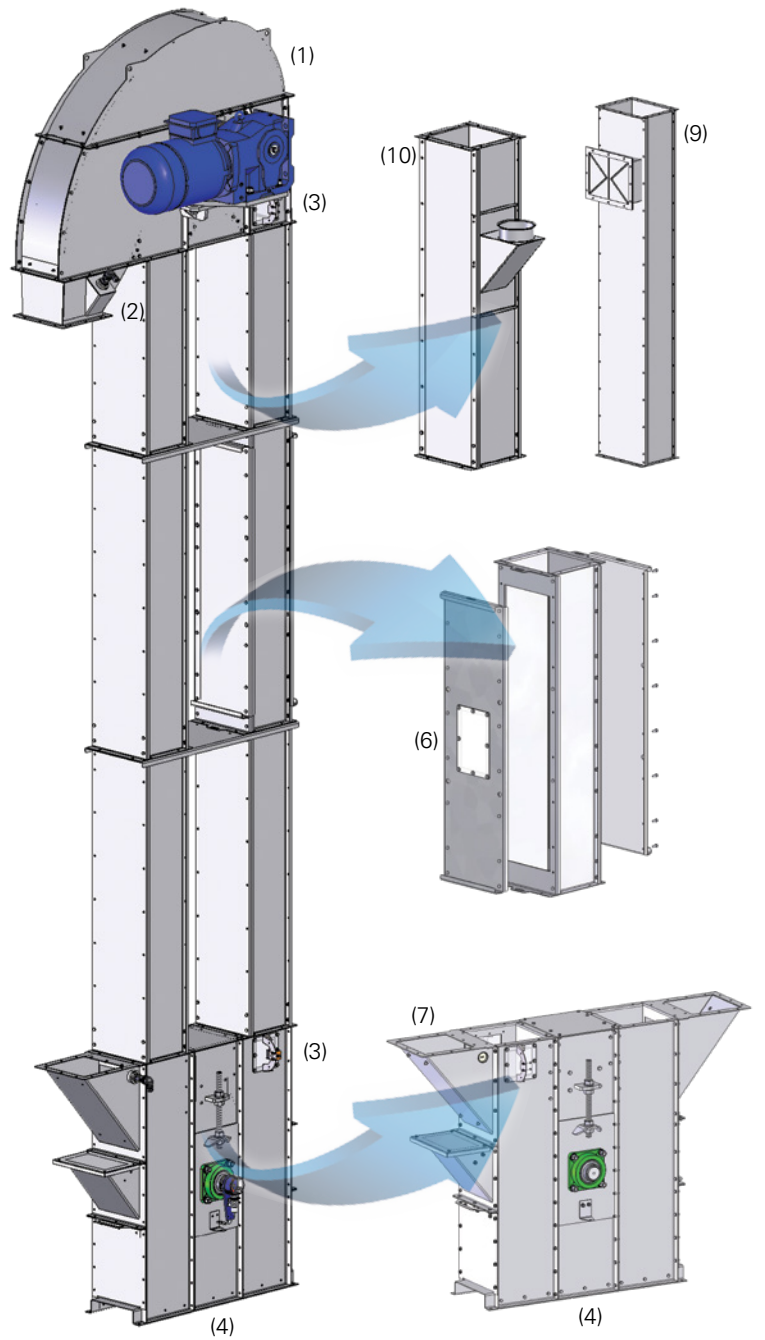
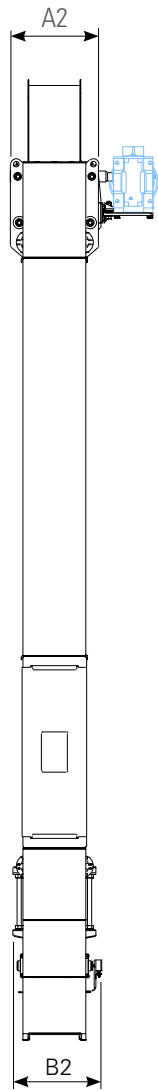
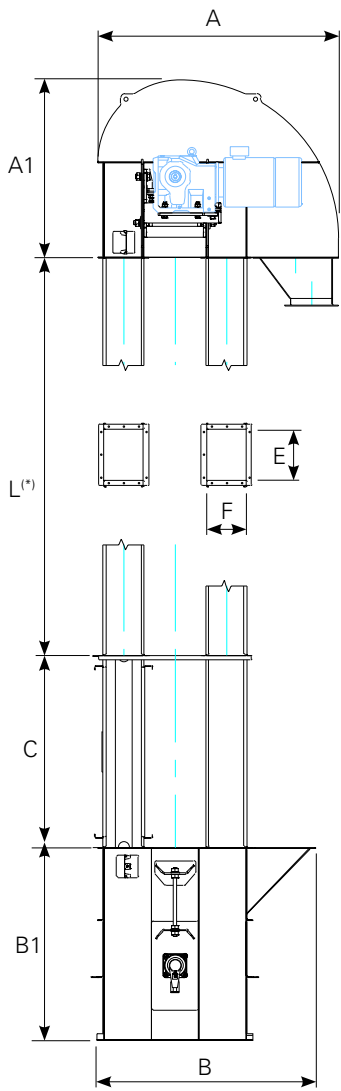
⁽²⁾ Thickness: Flanks - bottom - Cover

⁽³⁾ As an option the conveyor can be supplied with PE-UHMW bottom lining

⁽⁴⁾ ISO Version = Bent-Links Scraper Chain

⁽⁵⁾ Design working load has been considered for dry cereal (r.h. 14%), with bulk density 0.78 tonnes/m³ and impurities lower than 4%

⁽¹⁾ L = 2400 / 1900 / 1400 / 900 / 400 mm (Special dimensions available upon request) Standard elbow casing (from horizontal to inclined and from inclined to horizontal): 5° - 10° - 15°



Bucket Elevator

Type ETM

General characteristics

- Design for the vertical transport of granular or dusty products (typically cereals, oilseeds, flour, meals and their by products)
- Wide range of machines. Customization according to the customer's requirements
- Structure with high resistance to over pressure ($\geq 2,0$ bar)
- Surface treatment by hot dip galvanization or epoxidic dust painting (also for human food)
- Standard execution (CE) or in compliance with ATEX Directive 94/9/CE (Z=22)

Drive head

- Drive unit direct coupled to the shaft (1)
- Drive head with motor, reducer and joints, complete with support (2)
- Anti-clogging system at the discharging hopper (3)
- Belt alignment control system
- Smooth or rubber coated pulley
- Upper cover dismantable (one or two pieces)
- Set of anti-wearing sheets interchangeable, in special steel or Rhinohyde
- Kit for explosion suppression system (4)

Tail

- Smooth or squirrel cage pulley
- Standard tensioning system by screws (5)
- Tensioning system by counterweight (6)

- Dust tight tail (for application with dusty products)
- Self-cleaning tail
- Speed monitoring system
- Belt alignment control system
- Sensor for explosion suppression system

Buckets & Belts

- Buckets for granular products
- Buckets for dusty products
- Buckets in pressed steel or in plastic material polyethylene, polyamide, polyurethane
- Different type of belt: anti-abrasive, oil resistant, flame retardant, food quality

Legs

- Standard legs (8)
- Inspection legs (9)

Accessories

- Extra inlet hopper (10)
- Hopper for product recovering (11)
- Discharging hopper with square outlet (12)
- Over pressure discharge system with chimney (13)
- Explosion venting panel on head (14)
- Explosion venting panel on casing (15)
- Aspiration connection on casing (16)

		ETM.300	ETM.400	ETM.500
Capacity ⁽¹⁾	t/h	20 ÷ 35	25 ÷ 100	60 ÷ 175
Capacity ⁽¹⁾	bph	723 ÷ 1273	910 ÷ 3638	2183 ÷ 6367
Max Power	kW	7,5	11	45
Self-standing machine up to	m	25	35	40
Dimensions: A / A1 / A2	mm	933 / 647 / 345	1326 / 1038 / 476	1509 / 1059 / 693
Dimensions: B / B1 / B2	mm	827 / 715 / 383	1170 / 1000 / 440	1425 / 1250 / 535
Dimensions: C / E / F	mm	1400 / 165 / 145	1400 / 250 / 230	1400 / 335 / 269
Head Thickness ⁽²⁾	mm	3,0 - 3,0	3,0 - 3,0	4,0 - 3,0
Tail Thickness ⁽³⁾	mm	3,0 - 6,0	3,0 - 6,0	4,0 - 8,0
Legs Thickness ⁽⁴⁾	mm	2,0	2,0	2,0
Anti-Wearing Steel Thickness	mm	4,0	4,0	4,0
Design Working Load ⁽⁵⁾	h/y	5000	5000	5000

⁽¹⁾ Capacities are referred to dry cereal (r.h. 14%), with bulk density 0.78 t/m³ and impurities lower than 4%

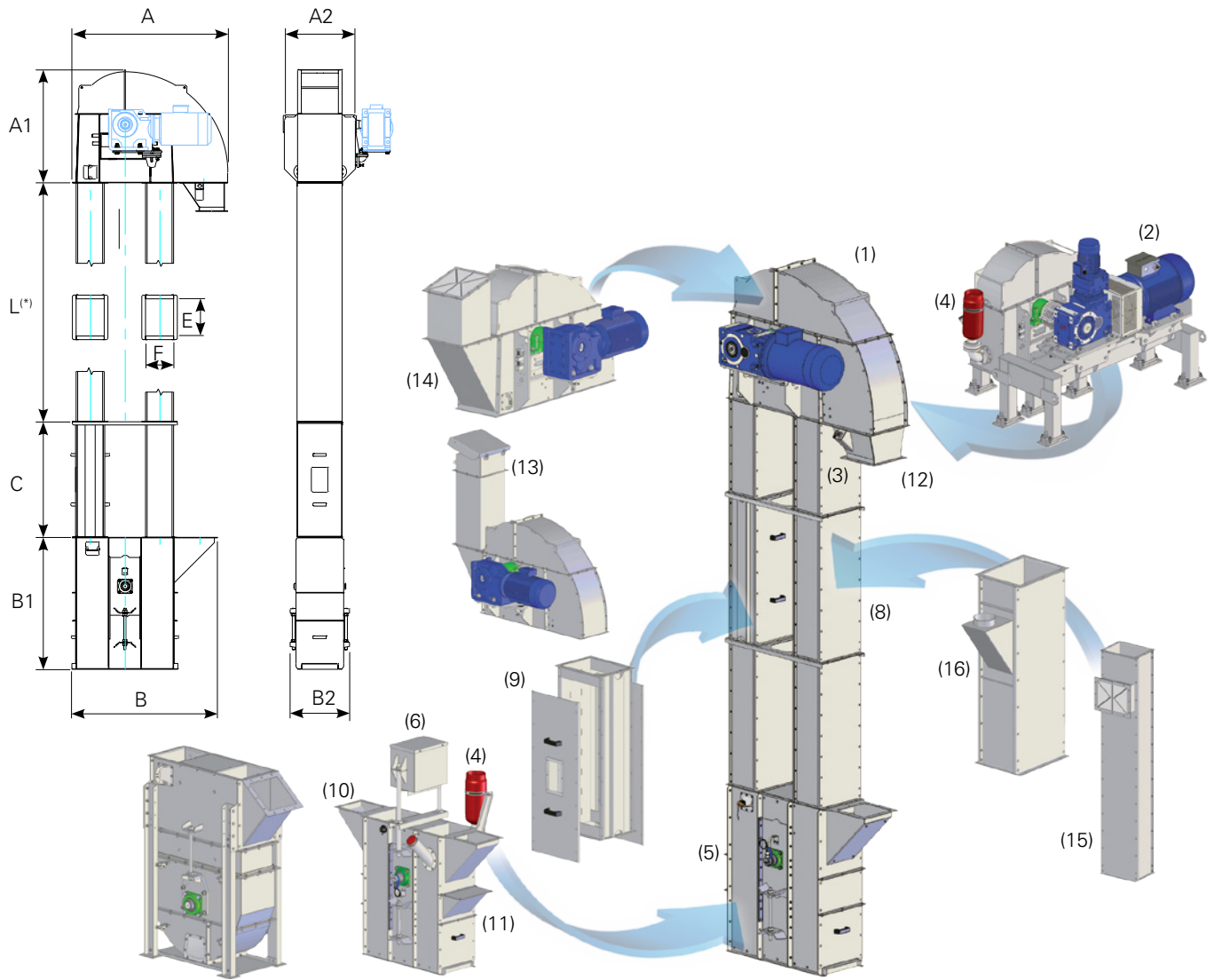
⁽²⁾ Thickness: Flanks - bottom - Cover

⁽³⁾ As an option the conveyor can be supplied with PE-UHMW bottom lining

⁽⁴⁾ ISO Version = Bent-Links Scraper Chain

⁽⁵⁾ Design working load has been considered for dry cereal (r.h. 14%), with bulk density 0.78 tonnes/m³ and impurities lower than 4%

^(*) L = 2400 / 1900 / 1400 / 900 / 400 mm (Special dimensions available upon request) Standard elbow casing (from horizontal to inclined and from inclined to horizontal): 5° - 10° - 15°



ETM.630	ETM.800	ETM.1000	ETM.1200
100 ÷ 250	150 ÷ 350	350 ÷ 650	400 ÷ 1200
3638 ÷ 9095	5457 ÷ 12734	12734 ÷ 23648	14553 ÷ 43658
75	110	160	250
48	50	50	50
1880 / 1364 / 860	2190 / 1594 / 970	2377 / 1896 / 1454	2589 / 2279 / 1918
1767 / 1600 / 775	2075 / 1905 / 799	2305 / 2000 / 1310	2562 / 2150 / 1656
1400 / 450 / 340	2000 / 500 / 350	2400 / 868 / 340	2400 / 1302 / 340
4,0 - 4,0	5,0 - 4,0	5,0 - 5,0	5,0 - 5,0
5,0 - 10,0	5,0 - 15,0	6,0 - 15,0	6,0 - 15,0
3,0	3,0	3,0	3,0
4,0	4,0	4,0	4,0
5000	5000	5000	5000

(1) Capacities are referred to dry cereal (r.h. 14%), with bulk density 0.78 t/m³ and impurities lower than 4%

(2) Thickness: Flanks - bottom - Cover

(3) As an option the conveyor can be supplied with PE-UHMW bottom lining

(4) ISO Version = Bent-Links Scraper Chain

(5) Design working load has been considered for dry cereal (r.h. 14%), with bulk density 0.78 tonnes/m³ and impurities lower than 4%

(*) L = 2400 / 1900 / 1400 / 900 / 400 mm (Special dimensions available upon request) Standard elbow casing (from horizontal to inclined and from inclined to horizontal): 5° - 10° - 15°

Belt Conveyor

Type TNM

General characteristics

- Design for the vertical transport of granular or dusty products (typically cereals, oilseeds, flour, meals and their by products)
- Wide range of machines. Customization according to the customer's requirements
- Surface treatment by hot dip galvanization or epoxidic dust painting (also for human food)
- Standard execution (CE) or in compliance with ATEX Directive 94/9/CE (Z=22)

Drive head

- Drive unit direct coupled to the shaft (1)
- Drive head with motor, reducer and joints, complete with support (2)
- Standard drive head (no end outlet) direct coupled to the shaft (3)
- Standard drive head (no end outlet) with motor, reducer and joints, complete with support
- Anti-clogging system at the discharging hopper
- Belt alignment control system (4)
- Rubber coated pulley

Tail

- Standard tensioning system by screws (5)
- Tail with belt tensioning system by standard counterweight (6)
- Special tail for belt tensioning system with tower counterweight (7)

- Special execution for reversible machine
- Smooth pulley
- Speed monitoring system
- Belt alignment control system

Belts

- Different type of belt: anti-abrasive, oil resistant, flame retardant, food quality

Upright Supports

- Standard Upright Supports (10)

Accessories

- Travelling tripper (1 or 2 ways outlet) (11)
- End outlet hopper
- Stationary feeding hopper
- Travelling feeding hopper
- Travelling hopper, jetty installation
- Adjustable supports
- Standard covering (12)
- Covering for jetty installation (13)
- Emergency stop system
- Counterweight (14)
- Tensioning Tower (15)

		TNM.300.340	TNM.350.340	TNM.450.340	TNM.240.600	TNM.240.650	TNM.240.750
Capacity ⁽¹⁾	t/h	40 ÷ 120			150 ÷ 350		
Capacity ⁽¹⁾	bph	1455 ÷ 4366			5457 ÷ 12734		
Max Power	kW	11			11		
Max length	m	-			30		
Screw Tensioning System up to	m	30			30		
Dimensions: A / A1 / A2	mm	525 / 680	615 / 680	710 / 715	955 / 1130	1020 / 1170	1105 / 1190
Dimensions: B / B1 / B2	mm	970 / 540			1090 / 695		
Dimensions: C / E / F	mm	1000 / 300			1750 / 430		
Head Thickness ⁽²⁾	mm	3,0 - 3,0			3,0 - 3,0		
Tail Thickness ⁽³⁾	mm	3,0 - 3,0			3,0 - 3,0		
Legs Thickness ⁽⁴⁾	mm	2,0 - 5,0			3,0 - 5,0		
Design Working Load ⁽⁵⁾	h/y	5000			5000		

⁽¹⁾ Capacities are referred to dry cereal (r.h. 14%), with bulk density 0.78 t/m³ and impurities lower than 4%

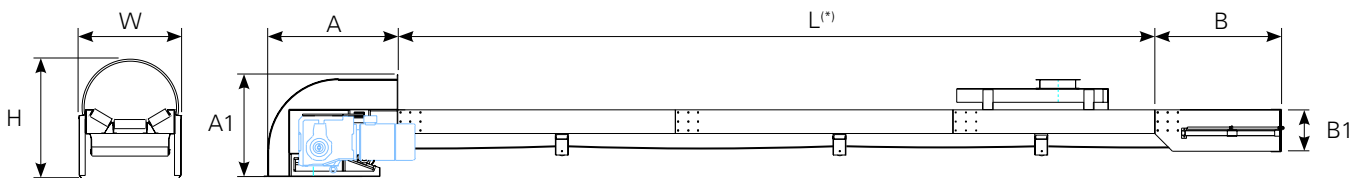
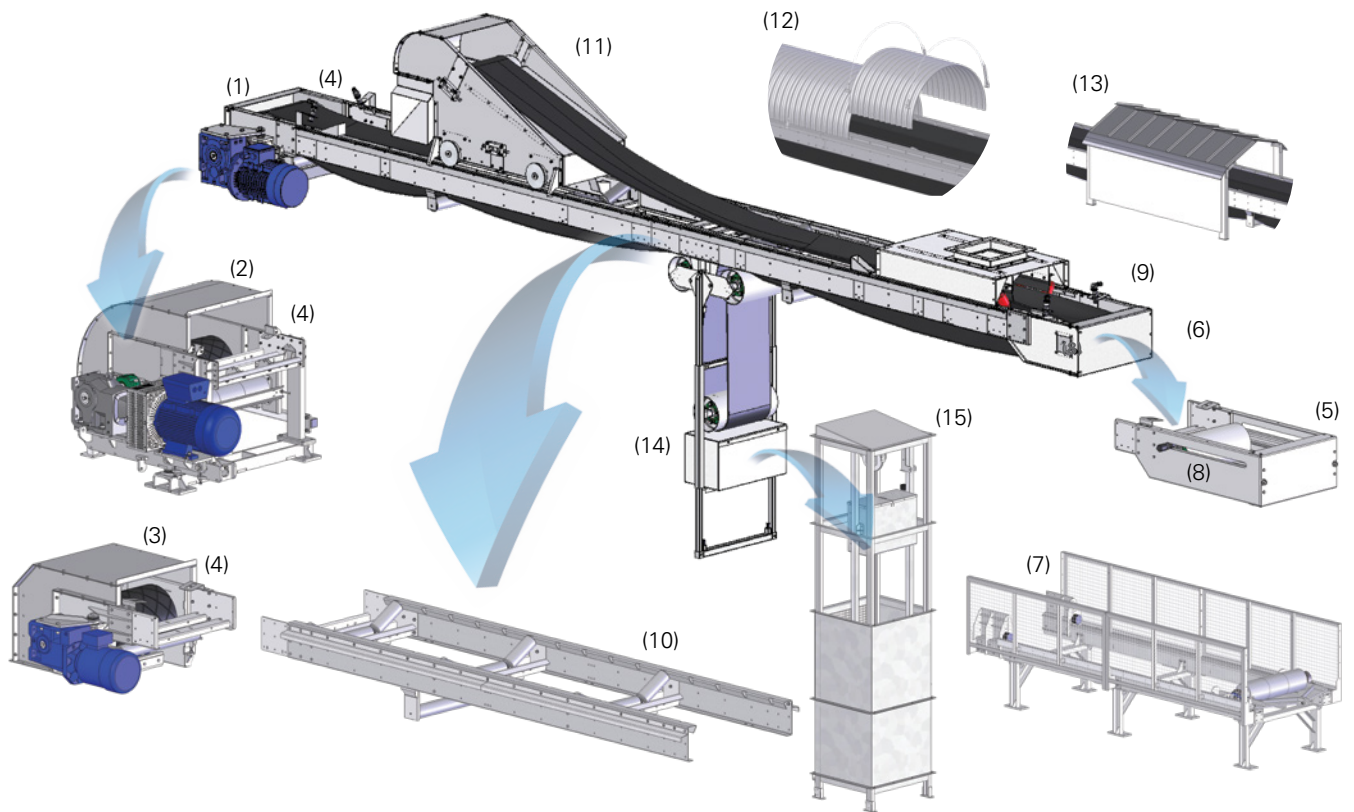
⁽²⁾ Thickness: Flanks - bottom - Cover

⁽³⁾ As an option the conveyor can be supplied with PE-UHMW bottom lining

⁽⁴⁾ ISO Version = Bent-Links Scraper Chain

⁽⁵⁾ Design working load has been considered for dry cereal (r.h. 14%), with bulk density 0.78 tonnes/m³ and impurities lower than 4%

^(*) L = 2400 / 1900 / 1400 / 900 / 400 mm (Special dimensions available upon request) Standard elbow casing (from horizontal to inclined and from inclined to horizontal): 5° - 10° - 15°



TNM.500.600	TNM.500.650	TNM.500.750	TNM.630.1000	TNM.630.1200	TNM.630.1500
150 ÷ 350			500 ÷ 1800		
5457 ÷ 12734			18191 ÷ 65487		
45			132		
-			-		
30			30		
955 / 1130	1020 / 1170	1105 / 1190	1530 / 1190	1740 / 1240	1920 / 1300
1330 / 1010			2040 / 1270		
1750 / 430			1500 / 710		
3,0 - 3,0			5,0 - 4,0		
3,0 - 3,0			5,0 - 3,0		
3,0 - 5,0			5,0 - 5,0		
5000			5000		

(1) Capacities are referred to dry cereal (r.h. 14%), with bulk density 0.78 t/m³ and impurities lower than 4%

(2) Thickness: Flanks - bottom - Cover

(3) As an option the conveyor can be supplied with PE-UHMW bottom lining

(4) ISO Version = Bent-Links Scraper Chain

(5) Design working load has been considered for dry cereal (r.h. 14%), with bulk density 0.78 tonnes/m³ and impurities lower than 4%

(*) L = 2400 / 1900 / 1400 / 900 / 400 mm (Special dimensions available upon request) Standard elbow casing (from horizontal to inclined and from inclined to horizontal): 5° - 10° - 15°

Spout & Connections

A complete range of accessories for the detection and deviation of the product and for the connection of several components:

- Detection slides: with square and rectangular section, with manual, electric or pneumatic control;
- Diverter valves: 2-ways and 3-ways, symmetrical and asymmetrical, with manual, electric or pneumatic control;
- Connection components with round and square section: absorber boxes, connections, elbows, brakes and hoppers, section reductions, etc.

Filter For Intake Pits

FTM high pressure filters have been studied to guarantee the lowering of dust during the unloading of the vehicles in the receiving hopper.

The modular construction allows the match of several elements in order to guarantee an homogeneous detection of dusts on all the hopper length.

Ventilation Components

Three product lines are available:

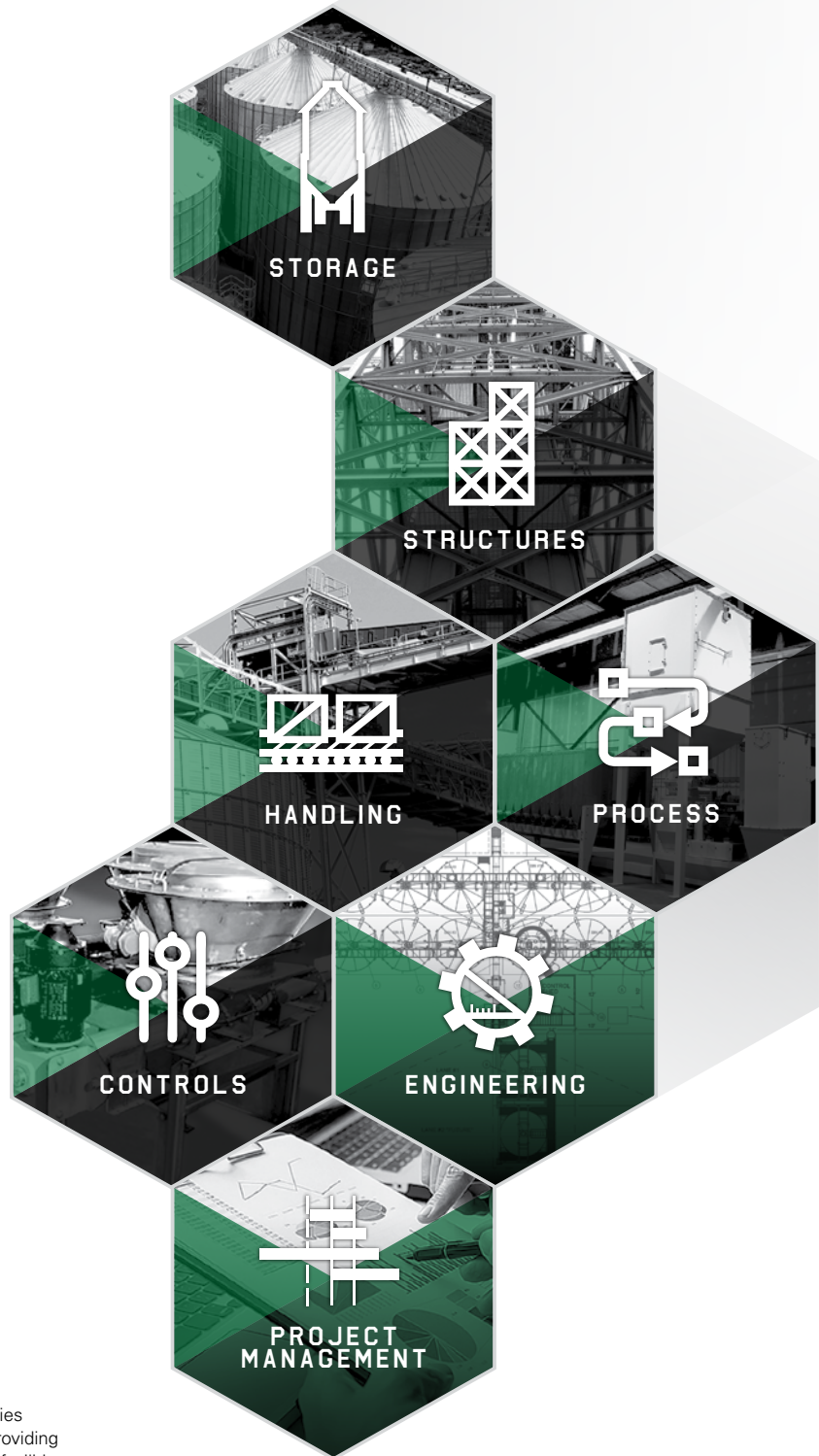
- Self-locking panels type LM 124 (pedestrian for vertical silos, for the covering of air distribution channels imbedded in foundation);
- Self-locking panels type LM 74 accessible to vehicles, for flat stores, for the covering of air distribution channels imbedded in foundation);
- Ventilation ducts type CM 160 (for silos and stores with already existing pavements)

Sampling Systems

The following items are available:

- The circuit sampling system CSM. It takes samples of any grain product at a given point of the circuit (for example, at the discharging point of a dryer). The control and command device is expected to take samples at regular and planned intervals, excellent sampling is guaranteed by this application.
- The sampling probe from truck PREVRAC. It provides a representative sampling (7 levels probing, without aspiration), fast (within 40 sec from truck stop) and safe (fully equipped with safety device) of a grain product while it is in the truck. The sampling is directly sent to the analysis lab through a pneumatic transport system.





PTM is an AGI Brand.

AGI is a leading provider of equipment solutions for agriculture bulk commodities including seed, fertilizer, grain, and feed systems with a growing platform in providing equipment and solutions for food processing facilities. AGI has manufacturing facilities in Canada, the United States, the United Kingdom, Brazil, South Africa and Italy and distributes its products globally.

AGI PTM

PT.M. s.r.l. - s.u., Via Mario Tognato, 10, 35042 Este (PD) - ITALY
 +39.0429.600973 | info@ptmtechnology.com | ptmtechnology.com