

Hi Flow



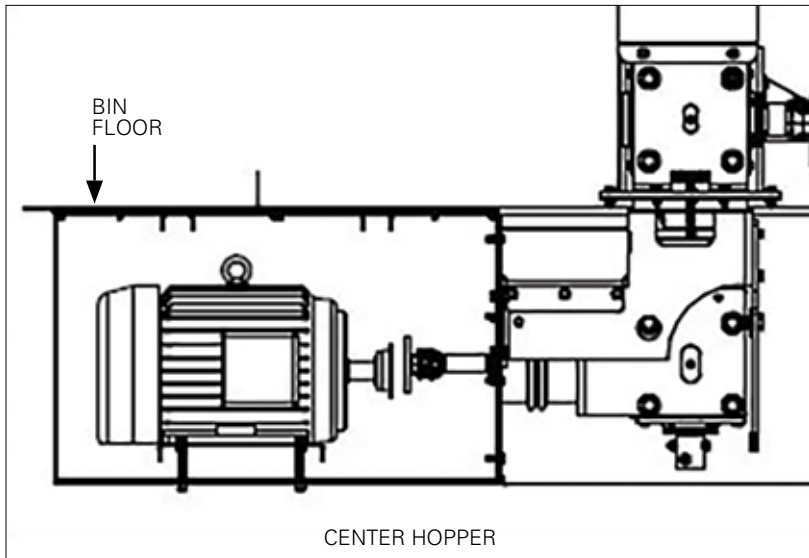
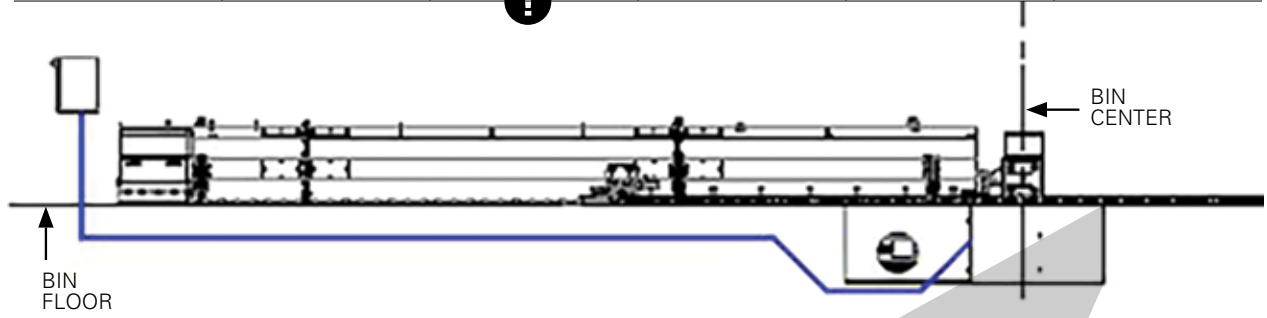


Hi-Flow

AGI UNION IRON

ZERO-BIN ENTRY WITH NO ELECTRIC MOTORS IN THE BIN.

<p>HEAVY DUTY BACK-BOARD DESIGN</p>	<p>HYDRAULIC DRIVEN TRACK DRIVE</p>	<p>16" MODEL - RATED FOR 10,000 BPH (BASED ON WHEAT)</p>	<p>CENTER HOPPER - 40" x 40" STANDARD, EXTENDED SIZE</p>	<p>MOTORS ARE EXPLOSION PROOF AND LOCATED UNDER THE BIN FLOOR (INSIDE CENTER HOPPER)</p>	<p>PLATES REQUIRED FOR FRONT AND BACK WHEELS WHERE THEY CROSS AERATION TUNNEL (NOT INCLUDED)</p>
-------------------------------------	-------------------------------------	--	--	--	--





A

A. REAR WHEEL - ADJUSTABLE

- Height adjustment
- Wheel adjustment to match radius

B. TRACK DRIVE ASSEMBLY

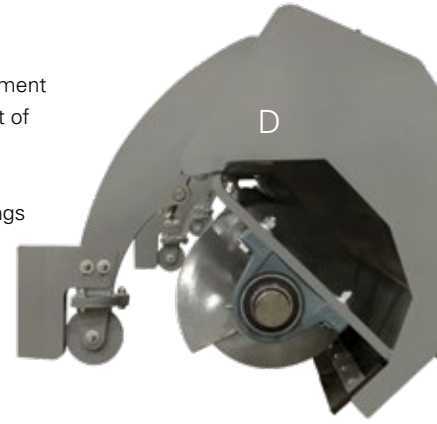
- Hydraulically drive with gear to angle track installed on floor

- C. Right angle gearboxes transfer power from motor (located in center hopper) to auger**

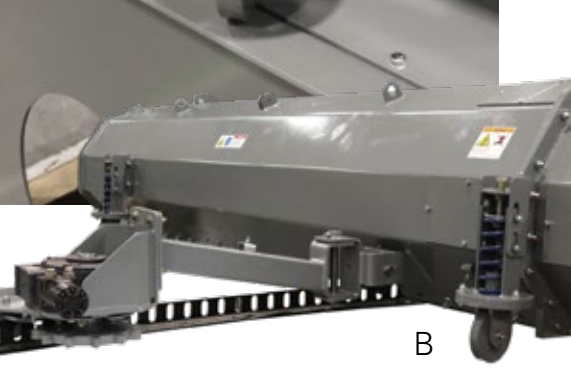
D. FRONT WHEEL - Adjustment

- up and down adjustment of wheel right to left

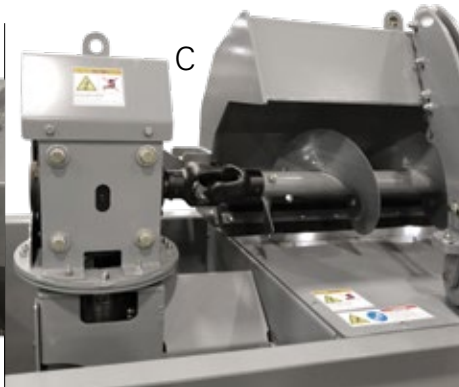
- E. 2-Bolt pillow block bearings at each coupling shaft**



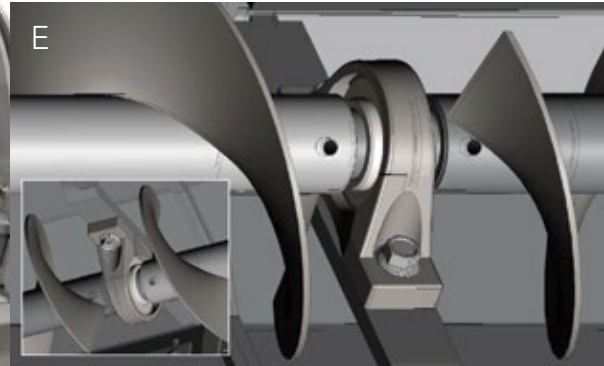
D



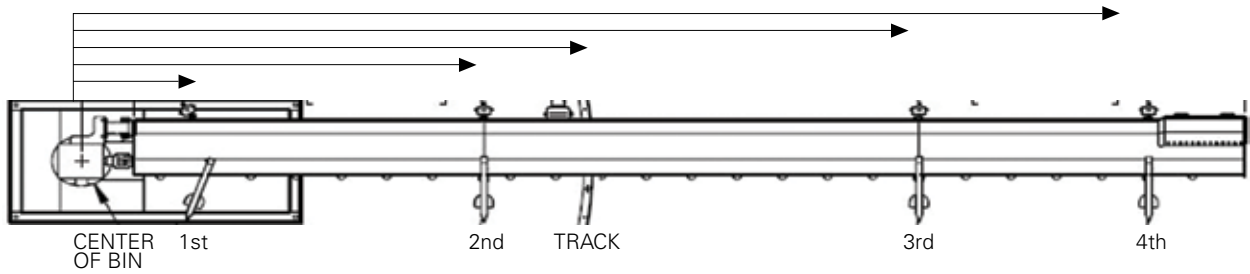
B



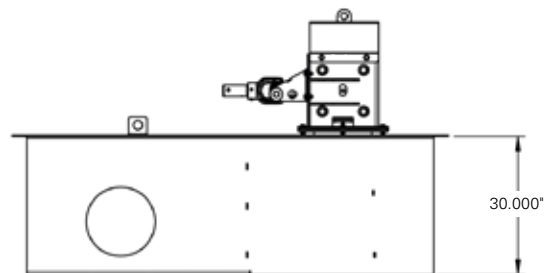
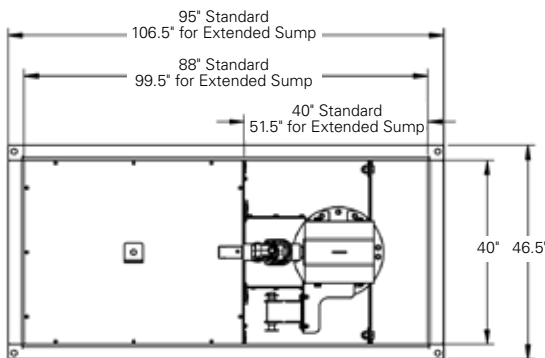
C



E



BIN DIAMETER (FT)	1st	2nd	TRACK	3rd	4th	5th
48'	40-1/4" (1022 mm)	134-3/8" (3413 mm)	169" (4293 mm)	246-1/2" (6261 mm)	—	—
54'	40-1/4" (1022 mm)	134-3/8" (3413 mm)	169" (4293 mm)	246-1/2" (6261 mm)	—	—
60'	40-1/4" (1022 mm)	134-3/8" (3413 mm)	169" (4293 mm)	318" (8077 mm)	—	—
66'	40-1/4" (1022 mm)	134-3/8" (3413 mm)	169" (4293 mm)	277-1/2" (7049 mm)	353-5/8" (8982 mm)	—
BIN DIAMETER (FT)	1st	2nd	TRACK	3rd	4th	5th
72'	40-1/4" (1022 mm)	134-3/8" (3413 mm)	277-1/2" (7049 mm)	312" (7925 mm)	390-1/2" (9919 mm)	—
75'	40-1/4" (1022 mm)	134-3/8" (3413 mm)	277-1/2" (7049 mm)	312" (7925 mm)	390-1/2" (9919 mm)	—
90'	40-1/4" (1022 mm)	134-3/8" (3413 mm)	277-1/2" (7049 mm)	312" (7925 mm)	421-1/2" (10706 mm)	497-3/4" (12643 mm)
BIN DIAMETER (FT)	1st	2nd	TRACK	3rd	4th	5th
105'	40-1/4" (1022 mm)	134-3/8" (3413 mm)	277-1/2" (7049 mm)	421-1/2" (10706 mm)	457-1/2" (11621 mm)	565-3/4" (14370 mm)





UNION IRON is an AGI Brand.

AGI is a leading provider of equipment solutions for agriculture bulk commodities including seed, fertilizer, grain, and feed systems with a growing platform in providing equipment and solutions for food processing facilities. AGI has manufacturing facilities in Canada, the United States, the United Kingdom, Brazil, South Africa and Italy and distributes its products globally.

AGI **UNION IRON**

3550 E. Mound Road Decatur, IL USA 62526
 1.800.333.5148 | sales@unioniron.com | unioniron.com